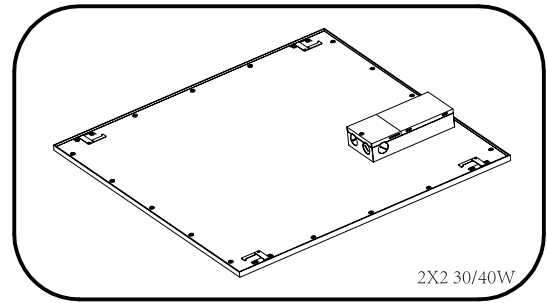


K-LUMINA FLAT PANEL SERIES

Summary

- Input: 120-277Vac, 50/60Hz
- Suitable for 0-10V Dimmer
- Vapor barrier must be suitable for 90°C
- Min 90°C supply conductors
- Suitable for damp locations
- This product to be installed in accordance with the application installation code by personnel professional for construction and electrician



Installation Selections Chart

Size(feet)	Power(watts)	Installation		
		Wall Mount	Recessed Mount	Suspension
2X2	30		✓	✓
2X2	40		✓	✓
1X4	30		✓	✓
1X4	40		✓	✓
2X4	40		✓	✓
2X4	50		✓	✓

! BEFORE YOU BEGIN Read these instructions completely and carefully.

⚠ WARNING

RISK OF ELECTRIC SHOCK

- Turn power off before inspection, installation or removal.
- Properly ground electrical enclosure.

RISK OF FIRE

- Follow all NEC and local codes.
- Use only UL approved wire for input/output connections. Minimum size 18 AWG (0.75mm²).
- Do not install insulation within 3 inches (76 mm) of luminaire top.

⚠ AVERTISSEMENT

RISQUES DE DÉCHARGES ÉLECTRIQUES

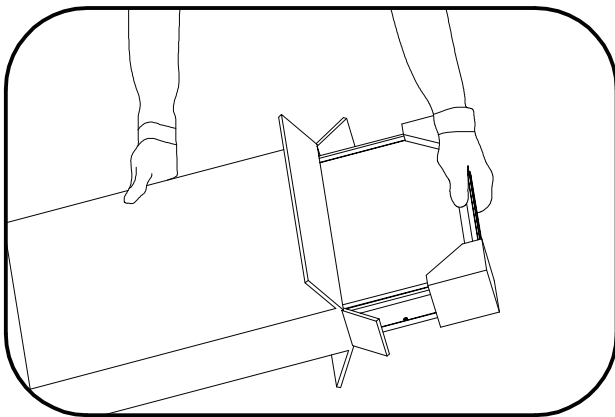
- Coupez l'alimentation avant d'inspecter, installer ou déplacer le luminaire.
- Assurez-vous de correctement mettre à la terre le boîtier d'alimentation électrique.

RISQUES D'INCENDIE

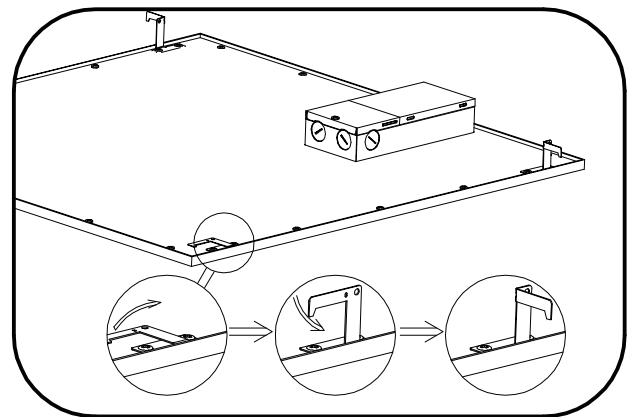
- Respectez tous les codes NEC et codes locaux.
- N'utilisez que des fils approuvés par UL pour les entrées/sorties de connexion. Taille minimum 18 AWG (0.75mm²).
- Maintenir une distance de 76 mm (3 pouces) entre le luminaire et l'isolant.

Save These Instructions Use only in the manner intended by the manufacturer. If you have any questions, contact the manufacturer.

Unit Installation/Recessed Mount

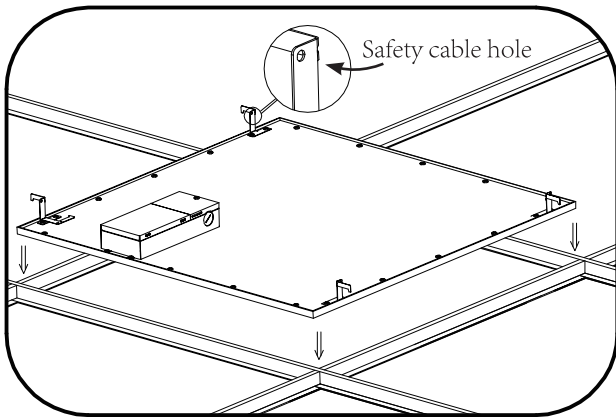


- ① Carefully unpack unit and properly inspect for defects before installing. Wear work gloves to prevent dirt and oil from being transferred to the luminaire. If cleaning is needed, use gloves and a dry cottoncloth. It is not recommended to use hazardous chemicals.

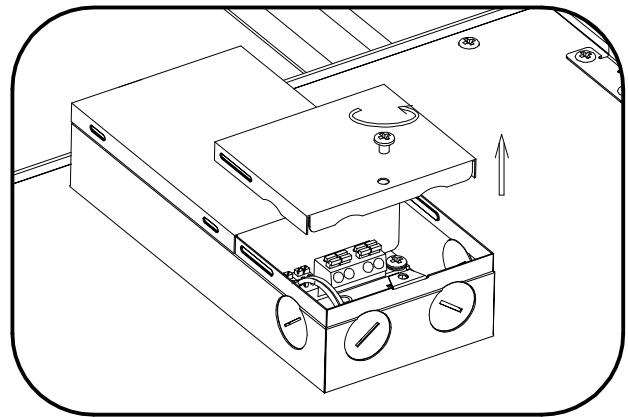


- ② Lift up four (four for 2X2, six for 1X4 and 2X4) mounting clips on the sides of the luminaire. You can do it by hand (Do wear work gloves) or use pliers

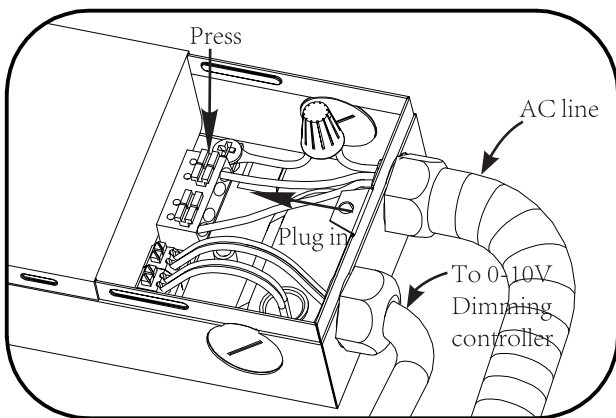
K-LUMINA FLAT PANEL SERIES



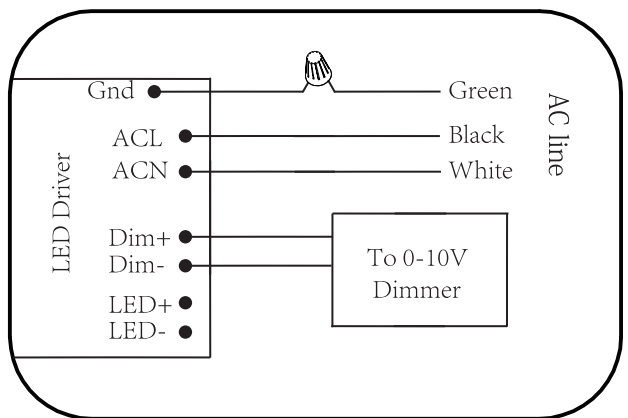
- ③ Insert luminaire into T-bar ceiling grid. Secure safety cable to connection hole as needed to meet local seismic requirements. Safety cable and method of attachment to the building provided by contractor according to local building codes.



- ④ Remove electrical enclosure cover. Carefully remove knockout for AC line input wires and 0-10V control line. Install listed electrical fittings in the knockout holes for wire protection if needed.



- ⑤ Plug in AC line(L and N) to the LED Driver using 18-12AWG(0.75-4.0mm²) Wire. Connect green wire to green wire using twist-on wire connectors. When connecting 0-10V dimming controller, wires must run through a separate knockout hole equipped with an appropriate electrical fitting.



- ⑥ Follow wire connection instructions. When using the 0-10V dimming controller Run wires from controller through a different knockout than the AC input wire. Don't forget to return the electrical enclosure cover and tighten the screws.