



KUHN USA LLC  
 E-mail: sales@kuhnusa.com  
 www.kuhnusa.com



P/N: KL-SWP01-80BA2-abcdef

Note:

KL= Company name;

SWP01 = Product series, LED Semi-Cutoff Wall Pack;

80 = Rating Power;

B= Lumileds 2835;

A2 = Version number;

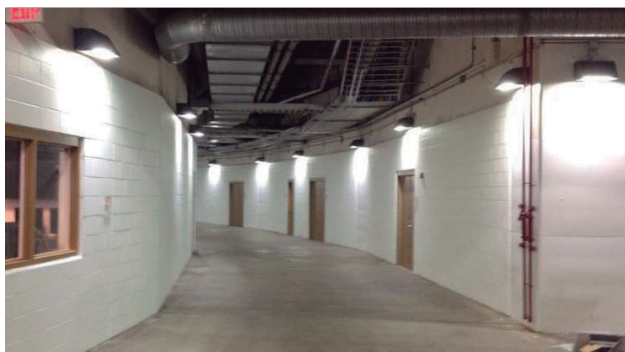
"a" can be any two letters to represent lamp colors;

"b" can be "S" or blank for Surge-Protective Device provided or not;

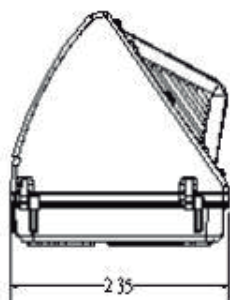
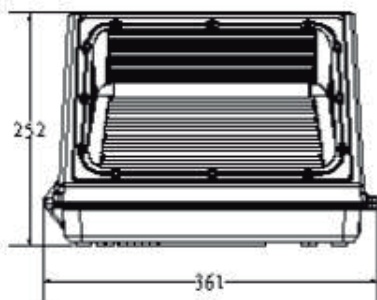
"c" can be "R" or blank for PIR Sensor provided or not;

"d" can be "p" or blank for Photocontrol provided or not;

"f" can be any two digits to represent CCT.



**DIMENSIONS**



**ADVANTAGE**

➤ UWF [ X [ US f W 6 > 5BD 7? ; G? > [ ef V

IP65 Internal driver, input voltage 100-277VAC;

No UV or IR in the beam;

Easy to install and operate;

Energy saving, long lifespan;

Light is soft and uniform, safe to eyes;

Instant start, NO flickering, NO humming.

Green and eco-friendly without mercury.

**APPLICATION**

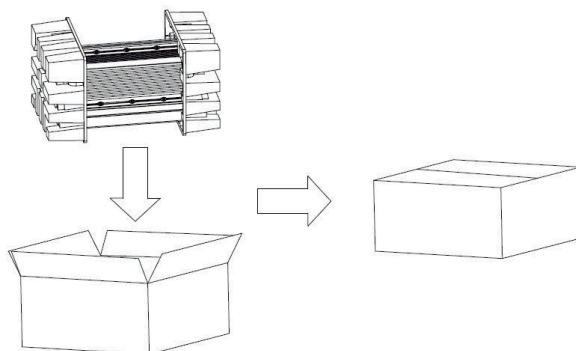
- Entrance lighting,courtyard lighting;
- Industrial lighting,Outdoor landscape lighting;
- Building,The hotel;
- Wall lighting area and so on.

## SPECIFICATIONS

<b>OPTICAL</b>	Input Power	80W
	Lumen	9300-10400LM
	Lumen Efficacy	120-130 LM/W
	Color Temperature	4000K,4500K,5000K,5700K
	CRI	>80
	Viewing Angle	110 Degree
<b>ELECTRICAL</b>	Input Voltage	100-277VAC 50/60Hz
	PF	≥0.9
	THD	≤20%
	Driver Model	China Brand Driver
<b>MATERIALS</b>	LED Type	SMD2835 (0.5W)
	LED QTY	280 PCS
	Housing	Aluminum(ADC12) +PC
	Housing Color	Brown
	Cover	Stripe lens
	Waterproof Rating	WET (IP65)
	Optional Accessory	Photocell / Surge protector / PIR Sensor
<b>OTHERS</b>	Operating Temperature	-20℃ TO 45℃
	Operating Humidity	10%-90% RH
	Storage Temperature	-40℃ TO 80℃
	Storage Humidity	10%-95% RH
	Warranty Time	5 Years

## PACKAGE

	Size	Qty / Carton	Net Weight / Carton	Gross Weight / Carton
Outer box	400*300*320 MM	1 PC	3.2KG	4.3KG



## LIGHT DISTRIBUTION TESTING PARAMETERS

### Luminaire Property

Luminaire Manufacturer:

Voltage: 120.6 V

Power: 79.70 W

Current: 0.671 A

Power Factor: 0.985

### Photometric Results

IES Classification: Type IV

Total Rated Lamp Lumens: 10177.6 lm

Efficiency: 100%

Upward Ratio: 6%

Central Intensity: 3090.23 cd

Pos of Max. Intensity: H90 V53

Longitudinal Classification: Very Short

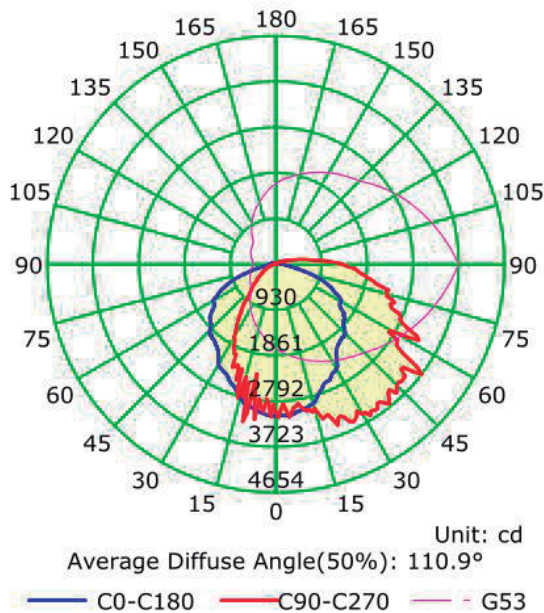
Measurement Flux: 10177.6 lm

Downward Ratio: 94%

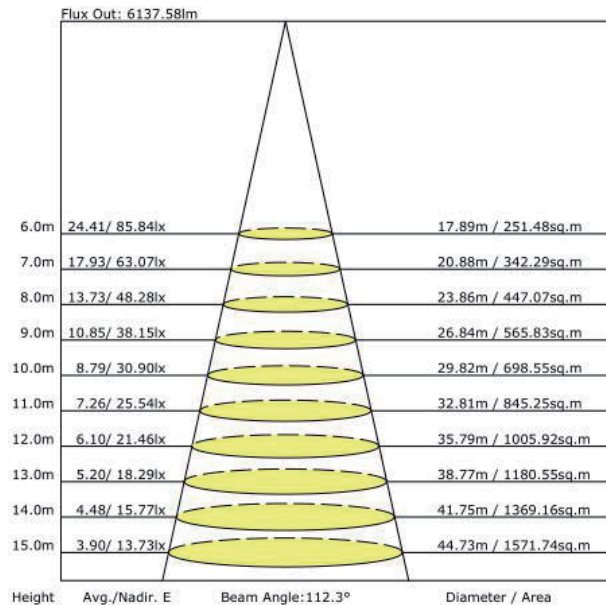
Luminaire Efficacy Rating (LER): 127.75

Max. Intensity: 3723.44 cd

Luminous Intensity Distribution Curve



The Average Illuminance Effective Figure



### NOTICE FOR USER

- Please turn off power before install or change assembly parts.
- The input voltage and lamps should be matched, after connecting the power line, Please make sure the wiring section is insulated.
- No-professionals, must not install and disassemble the lamps.

### TROUBLE SHOOTINGS

Troubles	Check points
Flickering of the light	Turn off the power and turn on again in 3 minutes. If same phenomena occur, then call agencies.
Out of working	Please check the connection.